

**SNP-6200RH**

# Clearly Captured with Full HD and 20x Zoom in Complete Darkness

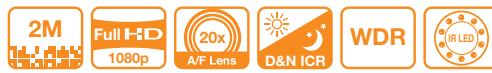
## SNP-6200RH

2MP 1080p Full HD 20x Network IR Dome Camera

- Max. 2MP (1920x1080) resolution
- 16 : 9 Full HD (1080p) resolution support
- Built-in 20x optical zoom lens (4.45 ~ 89mm)
- WDR, UPnP and face detection support
- IP66/IK10, IR LED (IR distance 100m, LED 2ea)

The SNP-6200RH is a Full HD PTZ dome camera with 20x optical zoom and focused IR illumination. The IR function illuminates objects at a distance of up to 100m by focusing the beam as the camera zooms, resulting in clear imaging in total darkness. The SNP-6200RH is also IP66 environment protected, IK10 vandal resistant and can withstand high temperature variations of -50°C to +55°C.

# SNP-6200RH



www.use-ip.co.uk  
01304 827609

VideCom.co.uk

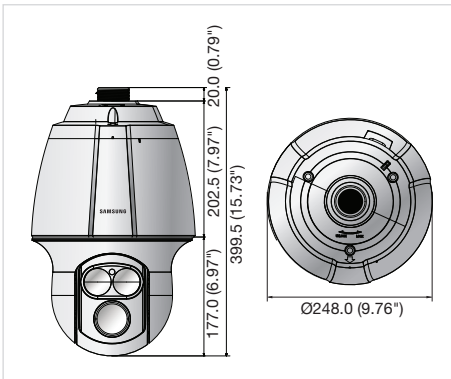


## Specifications

	SNP-6200RHN	SNP-6200RHP
<b>VIDEO</b>		
Imaging Device	1/3" 2M PS CMOS	
Total Pixels	2,010(H) x 1,108(V)	
Effective Pixels	1,944(H) x 1,092(V)	
Scanning System	Progressive	
Min. Illumination	Color : 1.5Lux (F1.6, 50IRE), B/W : 0Lux (IR LED on)	
S / N Ratio	50dB	
Video Output	CVBS : 1.0 Vp-p / 75Ω composite, 704 x 480(N), 704 x 576(P), for installation	
<b>LENS</b>		
Focal Length (Zoom Ratio)	4.45 ~ 89mm (20x)	
Max. Aperture Ratio	F1.6(Wide) / F2.9(Tele)	
Angular Field of View	H : 62.9°(Wide) ~ 3.10°(Tele) / V : 43.32°(Wide) ~ 2.34°(Tele)	
Min. Object Distance	1m (3.28ft)	
Focus Control	Auto / Manual / One shot	
Lens Type	DC auto iris	
Mount Type	Board-in type	
<b>PAN / TILT / ROTATE</b>		
Pan Range	360° Endless	
Pan Speed	Preset : 250°/sec, Manual : 0.024°/sec ~ 120°/sec	
Tilt Range	190°(-5° ~ 185°)	
Tilt Speed	Preset : 250°/sec, Manual : 0.024°/sec ~ 120°/sec	
Preset	255ea	
Preset Accuracy	±0.1°	
<b>OPERATIONAL</b>		
IR LED	2ea	
Viewable Length	100m (328.08ft)	
Camera Title	Off / On (Displayed up to 15 characters)	
Day & Night	Auto (ICR) / Color / B/W	
Backlight Compensation	Off / BLC / HLC / WDR	
Wide Dynamic Range	60dB	
Contrast Enhancement	SSDR (Samsung Super Dynamic Range) (Off / On)	
Digital Noise Reduction	SSNR/III (2D+3D noise filter) (Off / On)	
Digital Image Stabilization	Off / On	
Motion Detection	Off / On (1 programmable zones)	
Privacy Masking	Off / On (8 Rectangle programmable zones)	
Sens-up (Frame Integration)	Off / Auto (2x ~ 60x)	
Gain Control	Off / Low / Medium / High / Manual	
White Balance	ATW / Outdoor / Indoor / Manual / AWC (2,400°K ~ 10,500°K)	
Electronic Shutter Speed	Auto / FLK / Manual (1/30 ~ 33,000sec)   Auto / FLK / Manual (1/25 ~ 33,000sec)	
Digital Zoom	Off / On (1x ~ 8x)	
Flip / Mirror	Off / On	
Intelligent Video Analytics	Tampering (Scene change), Virtual line, Enter / Exit, Appear / Disappear, Audio detection, Face detection (5ea)	
Alarm I/O	Input 4ea / Output 3ea	
Remote Control Interface	RS-485/422	
RS-485 Protocol	Samsung-T/E, Pelco-P/D, Panasonic, Honeywell, AD, Vicon, Bosch, GE	
Alarm Triggers	Alarm input, Motion detection, Intelligent video analytics, Network disconnect	
Alarm Events	File upload via FTP and E-mail, Notification via E-mail, TCP, Local storage (SD/SDHC/SDXC) recording at Network disconnected, External output, PTZ preset	
<b>NETWORK</b>		
Ethernet	RJ-45 (10/100BASE-T)	
Video Compression Format	H.264 (MPEG-4 part 10/AVC), MJPEG	
Resolution	1920 x 1080P (Full HD), SXGA (1280 x 1024), 1280 x 960, HD (16 : 9, 1280 x 720p), 1024 x 768, SVGA (800 x 600), VGA (640 x 480), QVGA (320 x 240)	
Max. Framerate	30fps (When WDR on, Max. framerate is Max 15fps.)   25fps (When WDR on, Max. framerate is Max 15fps.)	
Video Quality Adjustment	H.264 : Compression level, Target bitrate level control, MJPEG : Quality level control	
Bitrate Control Method	H.264 : CBR or VBR, MJPEG : VBR	
Streaming Capability	Multiple streaming (Up to 6 profiles)	
Audio I/O	Mic(Line)-in selectable via UI, Line-out (Mono, 1Vrms)	
Audio Compression Format	G.711 u-law, G.726	
Audio Communication	Bi-directional audio	
IP	IPv4, IPv6	
Protocol	TCP/IP, UDP/IP, RTP(UDP), RTP(TCP), RTCP, RTSP, NTP, HTTP, HTTPS, SSL, DHCP, PPPoE, FTP, SMTP, ICMP, IGMP, SNMPv1/v2c/v3(MIB-2), ARP, DNS, DDNS, QoS, PIM-SM, UPnP	
Security	HTTPS(SSL) login authentication, Digest login authentication	
Streaming Method	IP address filtering, User access log, 802.1x authentication	
Max. User Access	Unicast / Multicast	
Memory Slot	10 users at unicast mode	
ONVIF Conformance	SD/SDHC memory slot	
Webpage Language	Yes	
Web Viewer	English, French, German, Spanish, Italian, Chinese, Korean, Russian, Japanese, Swedish, Danish, Portuguese, Turkish, Polish, Czech, Rumanian, Serbian, Dutch, Croatian, Hungarian, Greek	
Central Management Software	Supported OS : Windows XP / VISTA / 7, MAC OS	
ENVIRONMENTAL	Supported Browser : Internet Explorer 7.0 or Higher, Firefox, Google Chrome, Apple Safari	
Operating Temperature / Humidity	*Apple Safari, Windows Internet Explorer 9.0(32bit) / 8.0(32bit) / 7.0(32bit)	
Ingress Protection	*For Mac OS X, only the Safari browser is supported.	
Vandal Resistance	SmartViewer 4.0	
ELECTRICAL	-50°C ~ +55°C (-58°F ~ +131°F) / Less than 100% RH	
Input Voltage / Current	IP66 grade	
Power Consumption	IK10	
MECHANICAL	24V AC only	
Color / Material	Max. 30W (Heater Off) / 35W (Heater Off, IR on), 90W (Heater On, IR on)	
Dimensions (WxH)	Ivory / Aluminum	
Weight	Ø248.0 x 399.5mm (Ø9.76" x 15.73")	
	6.6Kg (14.95 lb)	

## Dimensions

Unit : mm (inch)



## Accessory (Optional)



The Eco mark represents Samsung Techwin's will to create environment-friendly products, and indicates that the product satisfies the EU RoHS Directive.

■ DISTRIBUTED BY

**Videcom Security Ltd**  
Fordoun House  
EN9 1PF  
www.videcom.co.uk  
(+44)1992 714604

**SAMSUNG TECHWIN CO., LTD.** 701, Sampyeong-dong, Bundang-gu, Seongnam-si, Gyeonggi-do Korea 463-400  
Tel : +82-70-7147-8741~8749, 8752~8760 Fax : +82-31-8018-3745 www.samsungsecurity.com www.samsungcctv.com

**SAMSUNG TECHWIN AMERICA INC.**  
100 Challenger Rd, Suite 700 Ridgely Park, NJ 07660  
Toll Free : +1-877-213-1222 Direct : +1-201-325-6920  
Fax : +1-201-373-0124

**SAMSUNG TECHWIN EUROPE LTD.**  
2st floor No5, The Height, Brookland, Weybridge, Surrey, U.K.  
KT13 0NY  
Tel : +44-1932-82-6700 Fax : +44 1932 82 6701

**SHANGHAI SAMSUNG TECHWIN CO., LTD.**  
32F, Bk B, International Business Center,  
No. 391 Guiping Rd., Shanghai, China, 200233  
Tel : +86-21-5427-1155 Fax : +86-21-5423-5122



**SAMSUNG TECHWIN**