

# DH-IPC-HFW3549T1-AS-PV

5MP Full-color Active Deterrence Fixed-focal Bullet WizSense Network Camera



**Wiz Sense**

Launched by Dahua Technology, WizSense is a series of AI products and solutions that adopt independent AI chip and deep learning algorithm. It focuses on human and vehicle with high accuracy, enabling users to fast act on defined targets. Based on Dahua's advanced technologies, WizSense provides intelligent, simple and inclusive products and solutions.

## Series Overview

With advanced deep learning algorithm, Dahua WizSense 3 Series network camera supports intelligent functions, such as perimeter protection and smart motion detection. In addition, with full-color technology, it provides a better image effect in the condition of low illuminance.

## Functions

### SMD Plus

With intelligent algorithm, Dahua Smart Motion Detection technology can categorize the targets that trigger motion detection and filter the motion detection alarm triggered by non-concerned targets to realize effective and accurate alarm.

### Smart H.265+ & Smart H.264+

With advanced scene-adaptive rate control algorithm, Dahua smart encoding technology realizes the higher encoding efficiency than H.265 and H.264, provides high-quality video, and reduces the cost of storage and transmission.

### Full-color

With high-performance sensor and large aperture lens, Dahua Full-color technology can display clear colorful image in the environment of ultra-low illuminance. With this photosensitivity technology, the camera can capture more available light, and display more colorful image details.

### Siren and Light Active Deterrence

Dahua siren and light active deterrence network camera supports light alarm and voice alarm when perimeter event occurs, to realize the deterrence and effective intervention. The camera is built in multiple voices for selection, and supports customized voice importing.

- 5MP, 1/2.7" CMOS image sensor, low illuminance, high image definition
- Outputs max. 5MP (2592 × 1944) @20 fps, and supports 4MP (2688 × 1520) @25/30 fps
- H.265 codec, high compression rate, low bit rate
- Built-in warm illuminator, and the max. illumination distance: 40 m
- ROI, SMART H.264+/H.265+, flexible coding, applicable to various bandwidth and storage environments
- Rotation mode, WDR, 3D DNR, HLC, BLC, digital watermarking, applicable to various monitoring scenes
- Intelligent detection: Intrusion, tripwire (support the classification and accurate detection of vehicle and human)
- Abnormality detection: Motion detection, video tampering, scene changing, audio detection, no SD card, SD card full, SD card error, network disconnection, IP conflict, illegal access, and voltage detection.
- Supports sound and light alarm linkage. When an alarm is triggered, the camera links sound alarm and light flashing.
- Supports one-tap disarming. You can disarm the events of alarm output, sending email, audio, and light in the configured period.
- Alarm: 1 in, 1 out; audio: 1 in, 1 out; supports max. 256 G Micro SD card, built-in Mic and speaker
- 12V DC/PoE power supply
- IP67 protection
- SMD Plus
- Red and blue flashlight alarm



### Perimeter Protection

With deep learning algorithm, Dahua Perimeter Protection technology can recognize human and vehicle accurately. In restricted area (such as pedestrian area and vehicle area), the false alarms of intelligent detection based on target type (such as tripwire, intrusion, fast moving, parking detection, loitering detection and gathering detection) are largely reduced.

### Protection (IP67, wide voltage)

IP67: The camera passes a series of strict test on dust and soak. It has dust-proof function, and the enclosure can works normal after soaking in 1 m deep water for 30 minutes.

Wide voltage: The camera allows  $\pm 30\%$  input voltage tolerance (wide voltage range), and it is widely applied to outdoor environment with instable voltage.

**Technical Specification**
**Camera**

Image Sensor	1/2.7"5Megapixel progressive CMOS
Max. Resolution	2592 (H) × 1944 (V)
ROM	128 MB
RAM	512 MB
Scanning System	Progressive
Electronic Shutter Speed	Auto/Manual 1/3 s–1/100,000 s
Min. Illumination	0.003 Lux @ F1.0
S/N Ratio	>56 dB
Illumination Distance	40 m (131.2 ft)
Illuminator On/Off Control	Auto/Manual
Illuminator Number	2 (Warm light)
Pan/Tilt/Rotation Range	Pan: 0°–360° Tilt: 0°–90° Rotation: 0°–360°

**Lens**

Lens Type	Fixed-focal				
Mount Type	M12				
Focal Length	2.8 mm; 3.6 mm; 6 mm				
Max. Aperture	F1.0				
Field of View	2.8 mm: Horizontal 98° × Vertical 71° × Diagonal 129° 3.6 mm: Horizontal 77° × Vertical 56° × Diagonal 101° 6 mm: Horizontal 53° × Vertical 40° × Diagonal 66°				
Iris Type	Fixed				
Close Focus Distance	2.8 mm: 1.2 m (3.9 ft) 3.6 mm: 2.1 m (6.9 ft) 6 mm: 4.5 m (14.8 ft)				
DORI Distance	Lens	Detect	Observe	Recognize	Identify
	2.8 mm	67.4 m (221.1 ft)	27 m (88.6 ft)	13.5 m (44.3 ft)	6.7 m (22.0 ft)
	3.6 mm	80.0 m (262.5 ft)	32.0 m (105.0 ft)	16.0 m (52.5 ft)	8.0 m (26.2 ft)
	6 mm	120.0 m (393.7 ft)	48.0 m (157.5 ft)	24.0 m (78.7 ft)	12.0 m (39.4 ft)

**Professional, intelligent**

IVS (Perimeter Protection)	Tripwire; intrusion (support the classification and accurate detection of vehicle and human)
Intelligent Search	Work together with Smart NVR to perform refine intelligent search, event extraction and merging to event videos.

**Video**

Video Compression	H.265; H.264; H.264H; H.264B; MJPEG (only supported by the sub stream)
Smart Codec	Smart H.265+/H.264+
Video Frame Rate	Main stream: 2592 × 1944 @1-20 fps/ 2688 × 1520 @1-25/30 fps Sub stream: 704 × 576 @1-25 fps/704 × 480 @ 1-20fps Third stream: 1920 × 1080 @1-25/30 fps

Stream Capability	3 streams
Resolution	5M (2592 × 1944); 4M (2688 × 1520); 4M (2560 × 1440); 3M (2304 × 1296); 1080p (1920 × 1080); 1.3M (1280 × 960); 720p (1280 × 720); D1 (704 × 576/704 × 480); VGA (640 × 480); CIF (354 × 288/354 × 240)
Bit Rate Control	CBR/VBR
Video Bit Rate	H.264: 32 kbps–8192 kbps H.265: 12 kbps–8192 kbps
Day/Night	Color/B/W
BLC	Yes
HLC	Yes
WDR	120 dB
Scene Self-adaptation	Yes
White Balance	Auto/natural/street lamp/outdoor/manual/regional custom
Gain Control	Auto/Manual
Noise Reduction	3D DNR
Motion Detection	OFF/ON (4 areas)
Region of Interest (RoI)	Yes (4 areas)
Smart Illumination	Yes
Image Rotation	0°/90°/180°/270° (Support with 2592×1944 resolution and lower)
Mirror	Yes
Privacy Masking	4 areas

**Audio**

Built-in MIC	Yes
Audio Compression	PCM; G.711a; G.711Mu; G.726; AAC; MPEG2-Layer2; G.722.1; G.729; G.723

**Alarm**

Alarm Event	No SD card; SD card full; SD card error; network disconnection; IP conflict; illegal access; motion detection; video tampering; tripwire; intrusion; scene changing; audio detection; voltage detection; external alarm; SMD; safety exception; light alarm; sound alarm (11 built-in sounds and custom voices importing)
-------------	---------------------------------------------------------------------------------------------------------------------------------------------------------------------------------------------------------------------------------------------------------------------------------------------------------------------------

**Network**

Network	RJ-45 (10/100 Base-T)
SDK and API	Yes
Protocol	IPv4; IPv6; HTTP; HTTPS; TCP; UDP; ARP; RTP; RTSP; RTCP; RTMP; SMTP; FTP; SFTP; DHCP; DNS; DDNS; QoS; UPnP; NTP; Multicast; ICMP; IGMP; NFS; SAMBA; PPPoE; 802.1x; SNMP
Interoperability	ONVIF (Profile S/Profile G/Profile T); CGI; Milestone; Genetec; P2P
User/Host	20 (Total bandwidth: 80 M)
Storage	FTP; SFTP; Micro SD card (support max. 256 G); Dahua Colud; NAS
Browser	IE: IE8 and later Chrome Firefox Safari: Safari 12 and later

Management Software	Smart PSS; DSS; DMSS
Mobile Phone	IOS; Android

### Certification

Certification	CE-LVD: EN62368-1 CE-EMC: Electromagnetic Compatibility Directive 2014/30/EU FCC: 47 CFR FCC Part 15, Subpart B
---------------	-----------------------------------------------------------------------------------------------------------------------

### Port

Audio Input	1 channel (RCA port)
Audio Output	1 channel (RCA port)
Alarm Input	1 channel in: 5mA 3V–5V DC
Alarm Output	1 channel out: 300mA 12V DC

### Power

Power Supply	12V DC/PoE (802.3af)
Power Consumption	Basic power consumption: 2W (12V DC); 2.6W (PoE) Max. power consumption (H.265 + warm light + IVS + sound alarm + red and blue lights flash): 7.5W (12V DC); 8.8W (PoE)

### Environment

Operating Conditions	-40°C to +60°C (-40°F to +140°F)/Less than 95% RH
Storage Conditions	-40°C to +60°C (-40°F to +140°F)
Protection Grade	IP67

### Structure

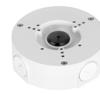
Casing	Metal + plastic
Dimensions	288.4 mm × 94.4 mm × 84.7 mm (11.4" × 3.7" × 3.3") (L × W × H)
Net Weight	1.0 kg (2.2 lb)
Gross Weight	1.23 kg (2.7 lb)

### Ordering Information

Type	Part Number	Description
SMP Camera	DH-IPC-HFW3549T1P-AS-PV	5MP Full-color Active Deterrence Fixed-focal Bullet WizSense Network Camera, PAL
	DH-IPC-HFW3549T1N-AS-PV	5MP Full-color Active Deterrence Fixed-focal Bullet WizSense Network Camera, NTSC
	IPC-HFW3549T1P-AS-PV	5MP Full-color Active Deterrence Fixed-focal Bullet WizSense Network Camera, PAL
	IPC-HFW3549T1N-AS-PV	5MP Full-color Active Deterrence Fixed-focal Bullet WizSense Network Camera, NTSC
Accessories (optional)	PFA130-E	Junction Box
	PFA152-E	Pole Mount
	PFM321D	12V DC 1A Power Adapter
	LR1002-1ET/1EC	Single-port Long Reach Ethernet over Coax Extender
	PFM900-E	Integrated Mount Tester
	PFM114	TLC SD Card

### Accessories

#### Optional:



PFA130-E  
Junction Box



PFA152-E  
Pole Mount



PFM321D  
12V DC 1A Power Adapter



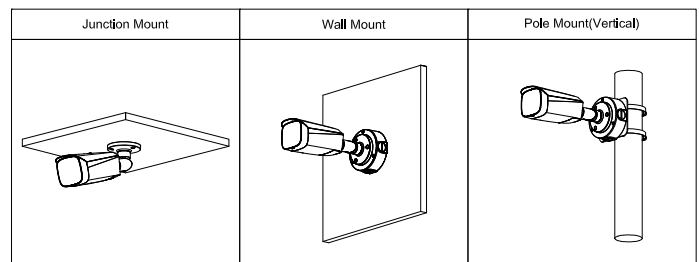
LR1002-1ET/1EC  
Single-port Long Reach Ethernet over Coax Extender



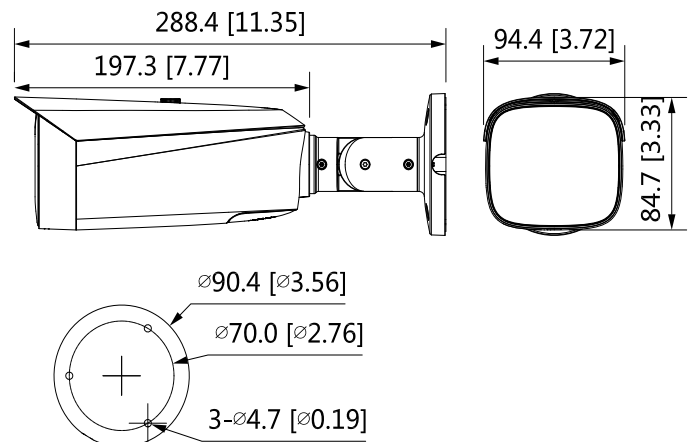
PFM900-E  
Integrated Mount Tester



PFM114  
TLC SD Card



### Dimensions (mm/inch)



Videcom Security Ltd  
Fordoun House  
Rue De St Lawrence  
Waltham Abbey  
Essex  
EN9 1PF

sales@vpuk.com

